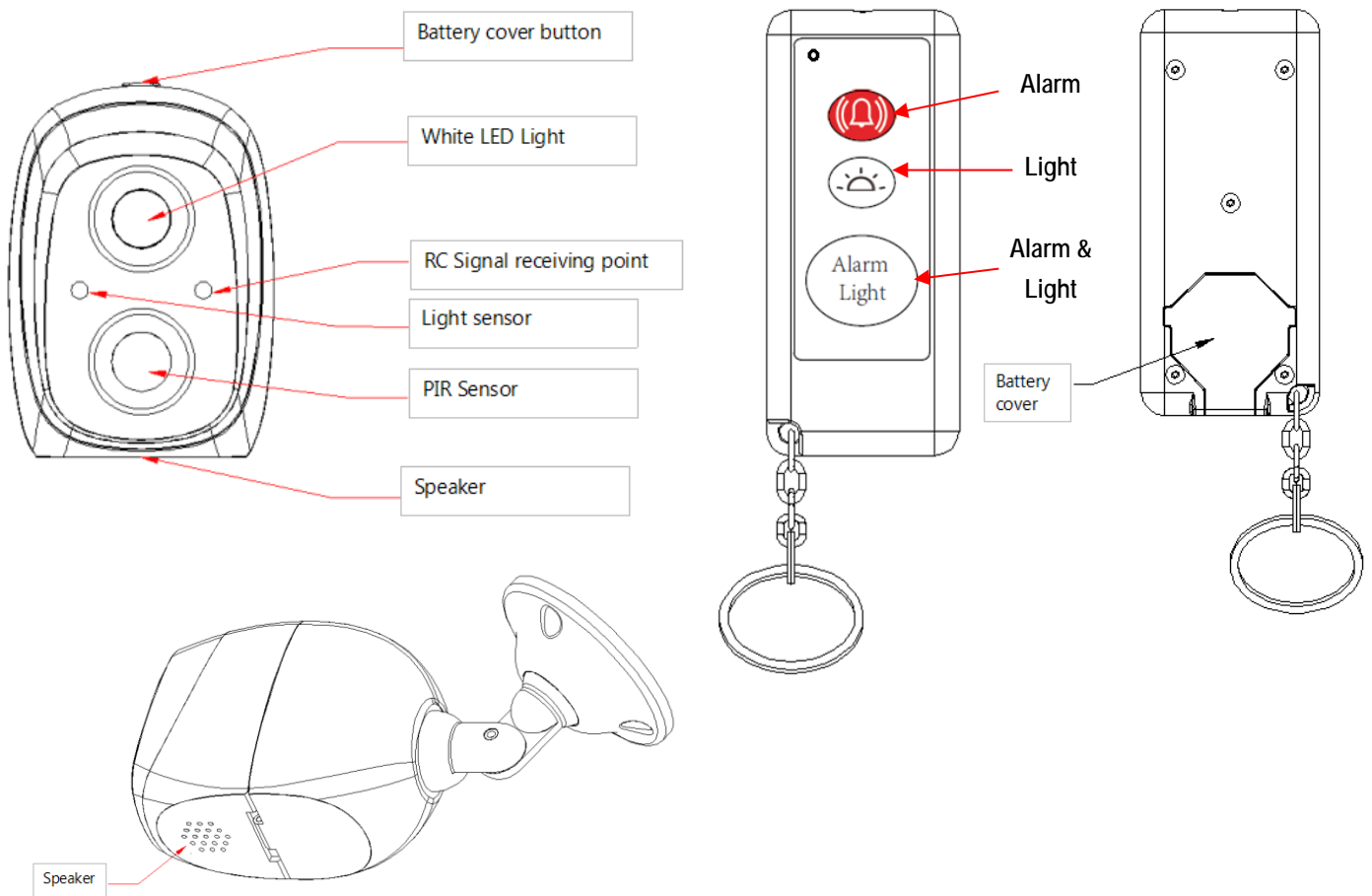




SWKLAL Instructions

DIAGRAM

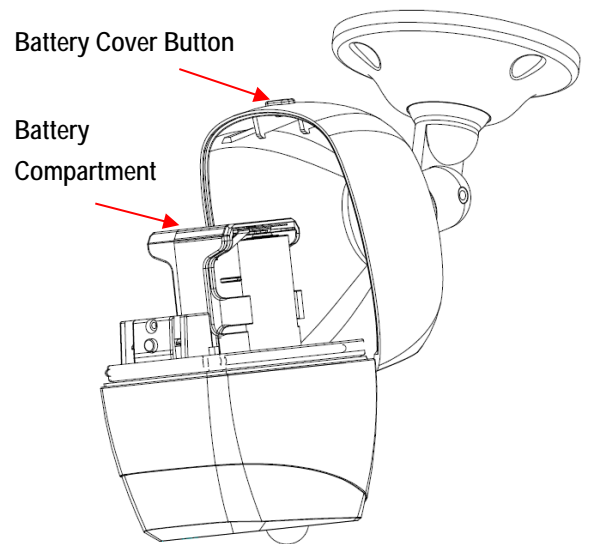


PRODUCT SPECS

1. Motion Detection range: Up to 16 feet.
2. Detection Angle: 120°.
3. Brightness of LED light: 80 Lumens (Shines for 15 seconds)
4. Alarm level: 120 dB. (Sounds for 15 seconds)
5. Remote Control detection distance: Up to 16 feet
6. Battery life: Main unit 6 to 8 months / Remote control about one year
7. Weather resistant rating: IP44.

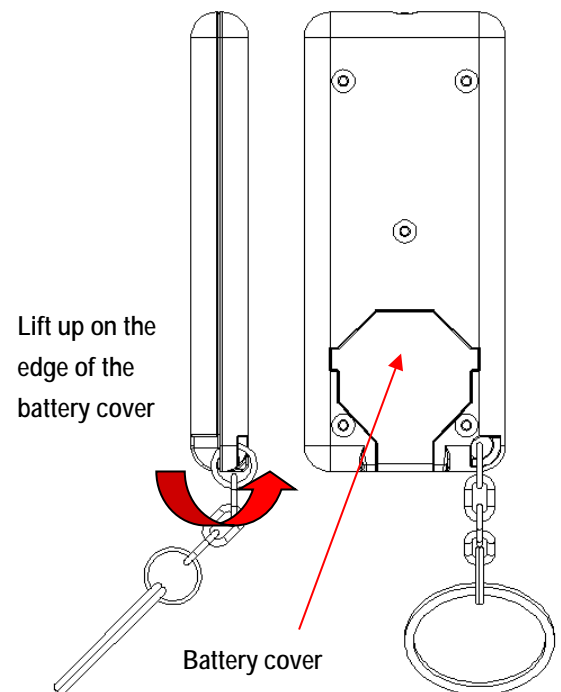
OPERATION

- A. Modes
- 1) Alarm Mode: At night, when the sensor detects movement the alarm will sound for 15 seconds.
 - 2) Light Mode: At night, when the sensor detects movement, the LED light will shine for 15 seconds.
 - 3) Alarm and Light Mode: At night, when the sensor detects movement, the alarm and LED light will activate for 15 seconds.
 - 4) Note: there is no ON/OFF button. Remove the batteries if you don't want to use the unit. Also to avoid corrosion remove the batteries when not in use.
- B. Remote Control: When pressing any of the three buttons on the remote you will hear a tone confirming you have entered that mode.



BATTERY INSTALLATION

- A. Knight Light
- 1) Press the Battery Cover Button on the top of the back cover and pull the front cover forward to open the battery compartment.
 - 2) Install the 4 AA batteries, following the polarity symbol (" +, -").
 - 3) You can hear a confirmation tone that the batteries are installed correctly.
 - 4) The unit will automatically be in alarm mode once the batteries are installed. Any movement will cause the alarm to sound for 15 seconds. Use the remote control if you desire to change to another mode.
 - 5) To silence the alarm press the Light button on the remote.
- B. Remote Control
1. Use a flat head screw driver on the edge of the battery compartment to pry it open. Install or replace the CR2032 (or CR2025) battery. The letters and numbers on the battery should be facing up.
 2. Press any button, if the red LED comes on the battery is good and installed correctly.



WARRANTY INFORMATION

Cutting Edge Products, Inc. extends a one year warranty to the **SWKLAL** for defects in materials or workmanship, with the following exceptions:

1. The warranty does not cover damage resulting from accident, misuse or abuse, lack of reasonable care, or loss of parts.
2. The warranty will be voided if the unit has been opened or tampered with in any way (unless by an authorized dealer) or if any unauthorized replacement parts have been used.
3. The warranty does not cover corrosion in the battery compartment caused by long term battery storage.

CONDITIONS OF SALE

Purchase of this product is an agreement by the purchaser/user to hold all sellers and manufacturers harmless of all liabilities and damages.

TO OBTAIN SERVICE

Contact the Authorized Dealer from whom you purchased this unit for a Return Merchandise Authorization. The return unit must be sent postage prepaid and proof of purchase is required. Damage or loss occurring during shipment is not covered by this warranty.